



COOKLINE

Datasheet

Project:	Quantity:
Model #:	Approval:

For Commercial Use Only

CSP1 Single 18" Burner Commercial Gas Stock Pot Range - 110,000 BTU



FEATURES

- Stainless steel front and sides
- Cast iron 2-ring burner each 55,000 BTU/hr
- 18" x 24.6" cast iron grate
- Standby S/S pilot for easy start
- Adjustable heavy duty legs
- Cool to touch fiberglass Nylon knobs
- Full width crumb tray at the bottom
- Durable brass valve for individual control
- Easy access to pilot valve adjustment screws
- Easy gas conversion in field
- 3/4" NPT rear gas connection
- Shipped with gas regulator

- ETL US & Canada
- ETL Sanitation
- Conforms to NSF Standards



AEON DISTRIBUTORS LTD is a supplier of premium quality commercial cooking, refrigeration, and food preparation equipment. Our aim is simple. Produce industry-leading commercial restaurant equipment at reasonable prices, and back it all up with an easy-to-understand, no-nonsense warranty that people can count on.



AEON DISTRIBUTORS LTD

Tel: +1 868 360 2366 | aeondistributorstt.com | buy@aeondistributorstt.com

AEON Distributors Ltd reserves the right to change specifications without

REV 2023-02

**COOKLINE**

Datasheet

Project:	Quantity:
Model #:	Approval:

For Commercial Use Only

TECHNICAL DATA

DIMENSIONS

Exterior Dimensions	18"L x 24.6"D x 23"H
Packaging Dimensions	24"L x 30.3"D x 20"H
Unit Weight	71 lb.
Shipping Weight	95 lb.

COOKING

Number of Burners	1
Burner BTU	55,000
Burner Style	Grates
Total BTU	110,000
Control Type	Manual
Gas Inlet Size	3/4"
Gas Type	Natural Gas

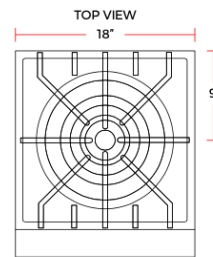
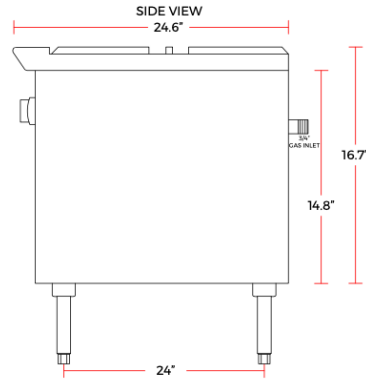
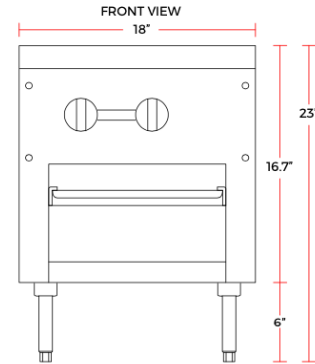
CONSTRUCTION

Exterior Material	Stainless Steel
Frame Structure	Welded
Number of Legs	4
Pull Out Tray	Yes
Standby Pilot	Yes

TECHNICAL DRAWING

MODEL: CSP1

MFR MODEL:

**AEON DISTRIBUTORS LTD**Tel: +1 868 360 2366 | aeondistributorstt.com | buy@aeondistributorstt.com

REV 2023-02

AEON Distributors Ltd reserves the right to change specifications without