

Project:	Quantity:
Model #:	Approval:

CR60-24RG 60" 6 Burner Gas Range with 2 Ovens with 24" Raised Griddle and Broiler



FEATURES

- ▶ Stainless steel front, sides, back riser and shelf
- ▶ Cast iron open burner, each 30,000 BTU/hr
- ▶ Thermostat (250°F- 550°F) controlled oven
- ▶ Welded frame structure for best stability
- ▶ 24" griddle plate(3/4" thickness) with splash guard
- ▶ Broiler beneath the griddle to brown the cooked food
- ▶ 12" x12"(30x30cm) cast iron grate
- ▶ Anti-clogging pilot cover under the grate
- ▶ A pull-out crumb tray with angled handle in the front
- ▶ U-shape oven burner with 31,000 BTU/hr
- ▶ Thermal coupling safety valve for the oven
- ▶ Stainless steel oven door with good insulation
- ▶ Stainless steel handle for bottom oven
- ▶ Kick plate at the bottom, easy access for servicing
- ▶ 3/4" NPT rear gas connection
- ▶ One year limited parts and labor warranty

- ▶ ETL Certified
- ▶ ETL Sanitation
- ▶ NSF Compliant



AEON DISTRIBUTORS LTD is a supplier of premium quality commercial cooking, refrigeration, and food preparation equipment. Our aim is simple. Produce industry-leading commercial restaurant equipment at reasonable prices, and back it all up with an easy-to-understand, no-nonsense warranty that people can count on.



AEON DISTRIBUTORS LTD

Tel: +1 868 360 2366 | aeondistributorstt.com | buy@aeondistributorstt.com

AEON Distributors Ltd reserves the right to change specifications without

REV 2023-02

COOKLINE performance series Datasheet

Project:	Quantity:
Model #:	Approval:

TECHNICAL DATA

DIMENSIONS

Exterior Dimensions	60"L x 30.5"D x 60.3"H
Oven Dimensions	26.6"L x 23.5"D x 13.9"H
Packaging Dimensions	65"L x 40"D x 48"H
Unit Weight	728 lb.
Shipping Weight	860 lb.

COOKING

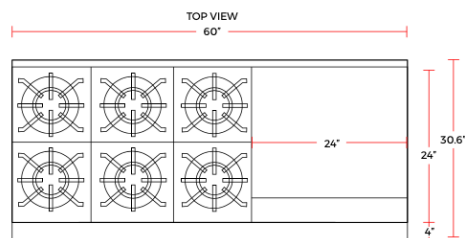
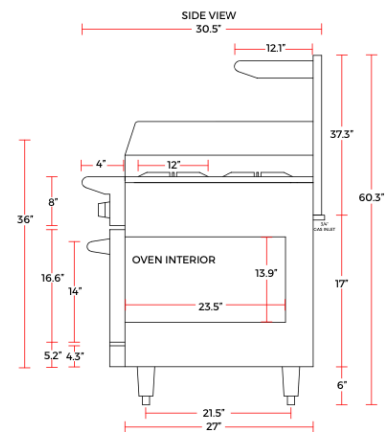
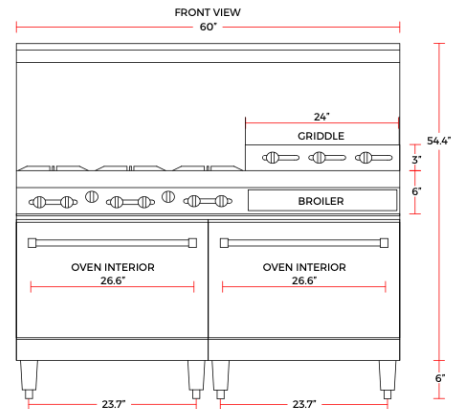
Numbers of Burners	6
Burner BTU	30,000
Burner Style	Grates
Numbers of Ovens	2
Numbers of Oven Racks	4
Oven BTU	31,000
Oven Style	Standard Oven
Max. Oven Temperature	550°F
Griddle Plate Size	24"L
Griddle Plate Thickness	3/4"
Number of Broiler	1
Griddle and Broiler BTU	36,000
Total BTU	278,000
Control Type	Manual
Gas Inlet Size	3/4"
Gas Type	Natural Gas

CONSTRUCTION

Exterior Material	Stainless Steel
Frame Structure	Welded
Number of Legs	8
Kick Plate Access	Yes
Pull Out Tray	Yes
Back Riser Shelf	Yes
Removable Grates	Yes

DIAGRAM

MODEL: **CR60-24RC**



AEON DISTRIBUTORS LTD
 Tel: +1 868 360 2366 | aeondistributorstt.com | buy@aeondistributorstt.com

AEON Distributors Ltd reserves the right to change specifications without

REV 2023-02