



COOKLINE

Datasheet

Project:	Quantity:
Model #:	Approval:

For Commercial Use Only

CGG-48M 48" Gas Countertop Griddle with Manual Controls



FEATURES

- Manual controls
- Stainless steel front and sides
- Steel U-shape burner each 30,000 BTU/hr
- To be controlled every 12"
- 5/8" thickness polished griddle plate
- Standby S/S pilot for easy start
- Adjustable heavy duty legs
- Cool to touch fiberglass Nylon knobs
- Grease through channel in the front
- Stainless steel oil collector in the bottom
- Stainless steel splash guard at 3 sides
- Durable brass control valve
- Easy access to pilot valve adjustment screws
- Easy gas conversion in field
- 3/4" NPT rear gas connection
- Shipped with gas regulator

- ETL Certified
- ETL Sanitation
- Conforms to NSF



AEON DISTRIBUTORS LTD is a supplier of premium quality commercial cooking, refrigeration, and food preparation equipment. Our aim is simple. Produce industry-leading commercial restaurant equipment at reasonable prices, and back it all up with an easy-to-understand, no-nonsense warranty that people can count on.



AEON DISTRIBUTORS LTD

Tel: +1 868 360 2366 | aeondistributorstt.com | buy@aeondistributorstt.com

REV 2023-02

AEON Distributors Ltd reserves the right to change specifications without

**COOKLINE**

Datasheet

Project:	Quantity:
Model #:	Approval:

For Commercial Use Only

TECHNICAL DATA

DIMENSIONS

Exterior Dimensions	48"L x 25"D x 15"H
Packaging Dimensions	50"L x 30"D x 20"H
Unit Weight	298 lb.
Shipping Weight	375 lb.

COOKING

Numbers of Burners	4
Burner BTU	30,000
Burner Style	U-Shaped
Total BTU	120,000
Cooking Surface Width	48"
Cooking Surface Depth	19"
Cooking Surface Material	Stainless Steel
Griddle Plate Thickness	5/8"
Control Type	Manual
Gas Inlet Size	3/4"
Gas Type	Natural Gas

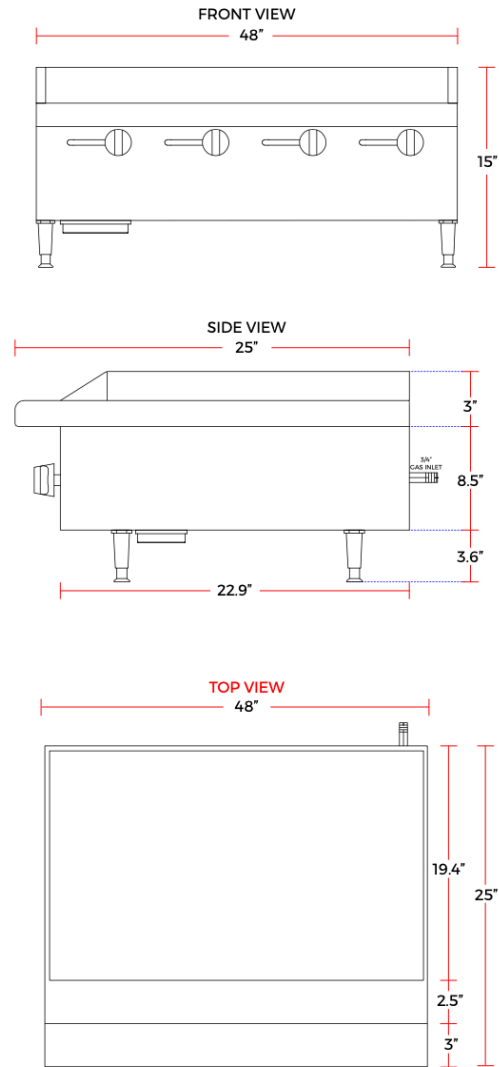
CONSTRUCTION

Exterior Material	Stainless Steel
Frame Structure	Welded
Number of Legs	4
Back Splash	Yes
Side Splash	Yes
Oil Collector Tray	Yes

DIAGRAM

MODEL: CGG-48M

MFR MODEL:

**AEON DISTRIBUTORS LTD**Tel: +1 868 360 2366 | aeondistributorstt.com | buy@aeondistributorstt.com

AEON Distributors Ltd reserves the right to change specifications without

REV 2023-02